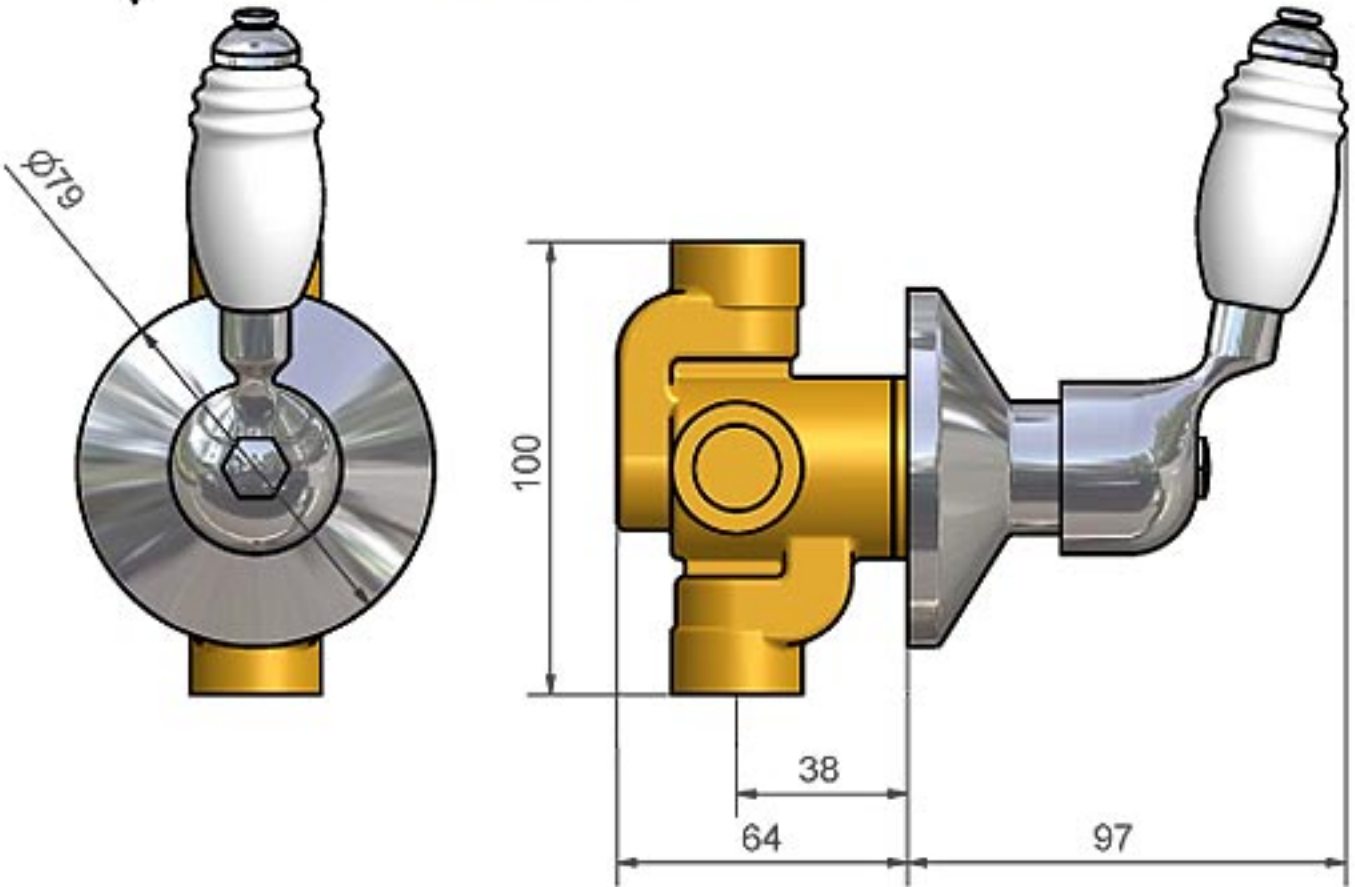


St. James

International Bathrooms B.V.
www.bathrooms.nl

Range	S.J. ancillary	
Item	Concealed Diverter	
Date		
Finish : Chrome	Code : AS790.XXX	
Finish : Antique gold	Code :	
Finish : Bright nickel	Code :	
ALL DIMENSIONS SHOWN IN mm.		

2 x 1/2" BSP female inlets
2 x 1/2" BSP female outlets



Pack Details:-

Units of 1, 15cm x 13cm x 23cm.

Product Weight 1.1Kg.

Total Pack Weight 1.2Kg.

Min. Working Pressure 0.1Bar

Flow @ 0.1 Bar (Marflow Test Rig) X l/min.

