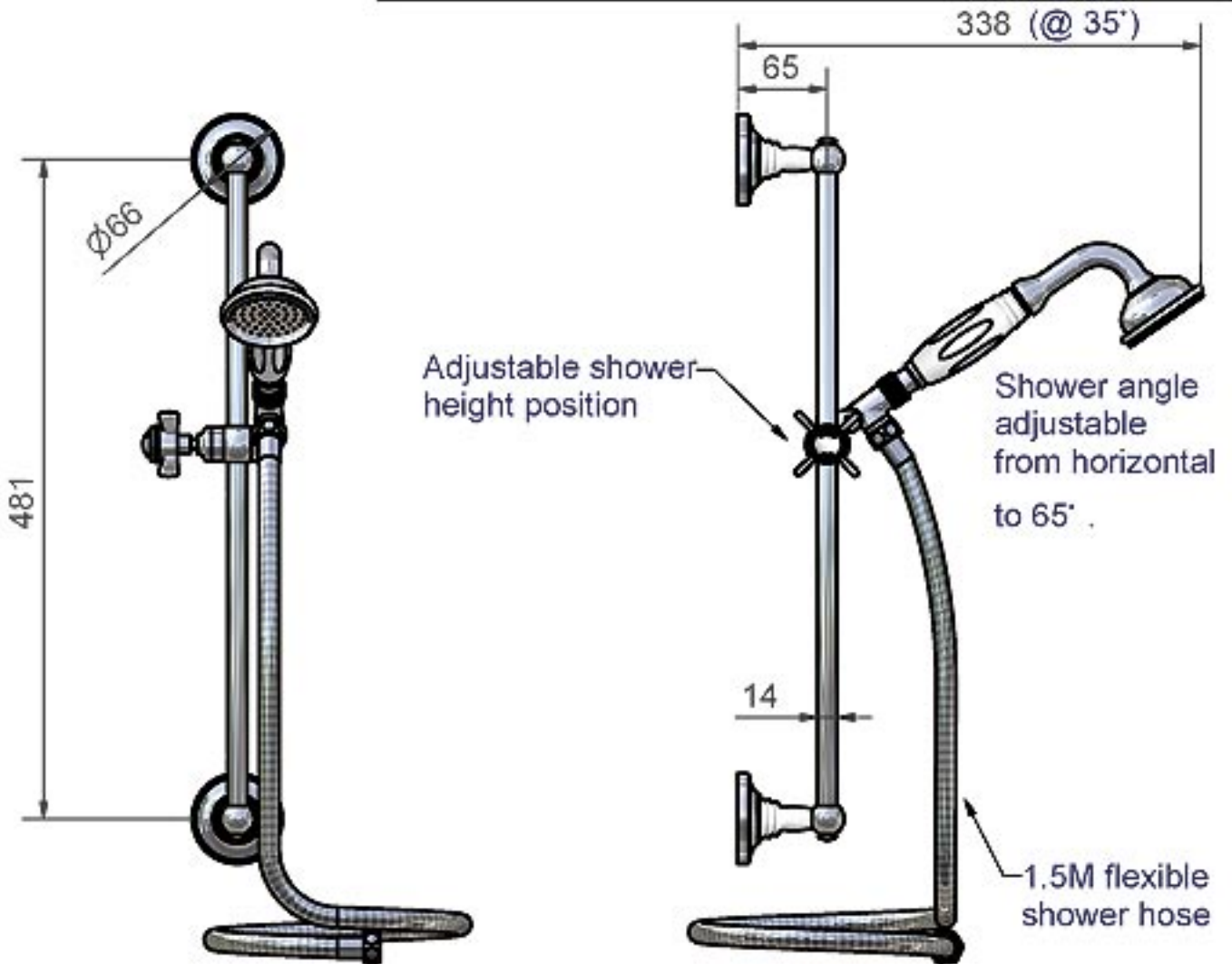


St. James

International Bathrooms B.V.
www.bathrooms.nl

Range	S.J. ancillary	
Item	Kit 2, Handshower on adjustable slider rail	
Date		
Finish : Chrome	Code : ASK2N	
Finish : Antique gold	Code :	
Finish : Bright nickel	Code :	
ALL DIMENSIONS SHOWN IN mm.		



Pack Details:-
Units of 1, 21cm x 8cm x 58cm.
Product Weight 1.9Kg.
Total Pack Weight 2Kg.

Min. Working Pressure 0.1Bar
Flow @ 0.1 Bar (Marflow Test Rig) X l/min.

