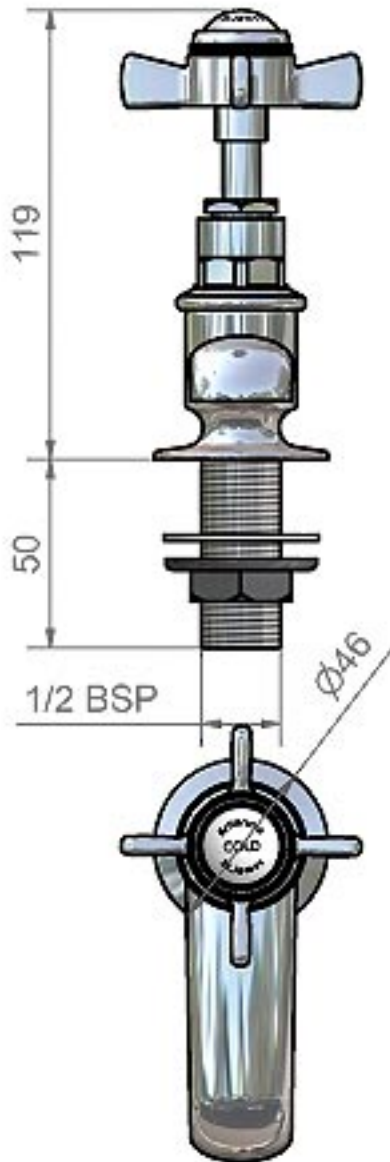


St. James

International Bathrooms B.V.
www.bathrooms.nl

Range	S.J. - England, CD.	
Item	Basin taps	
Date		
Finish : Chrome	Code : SJC100.XXX	
Finish : Antique gold	Code :	
Finish : Bright nickel	Code :	
ALL DIMENSIONS SHOWN IN mm.		



Pack Details:-
Units of 1, 16cm x 7cm x 29cm.
Product Weight 1Kg.
Total Pack Weight 1.2Kg.

Min. Working Pressure 0.1Bar
Flow @ 0.1 Bar (Marflow Test Rig) X l/min.

