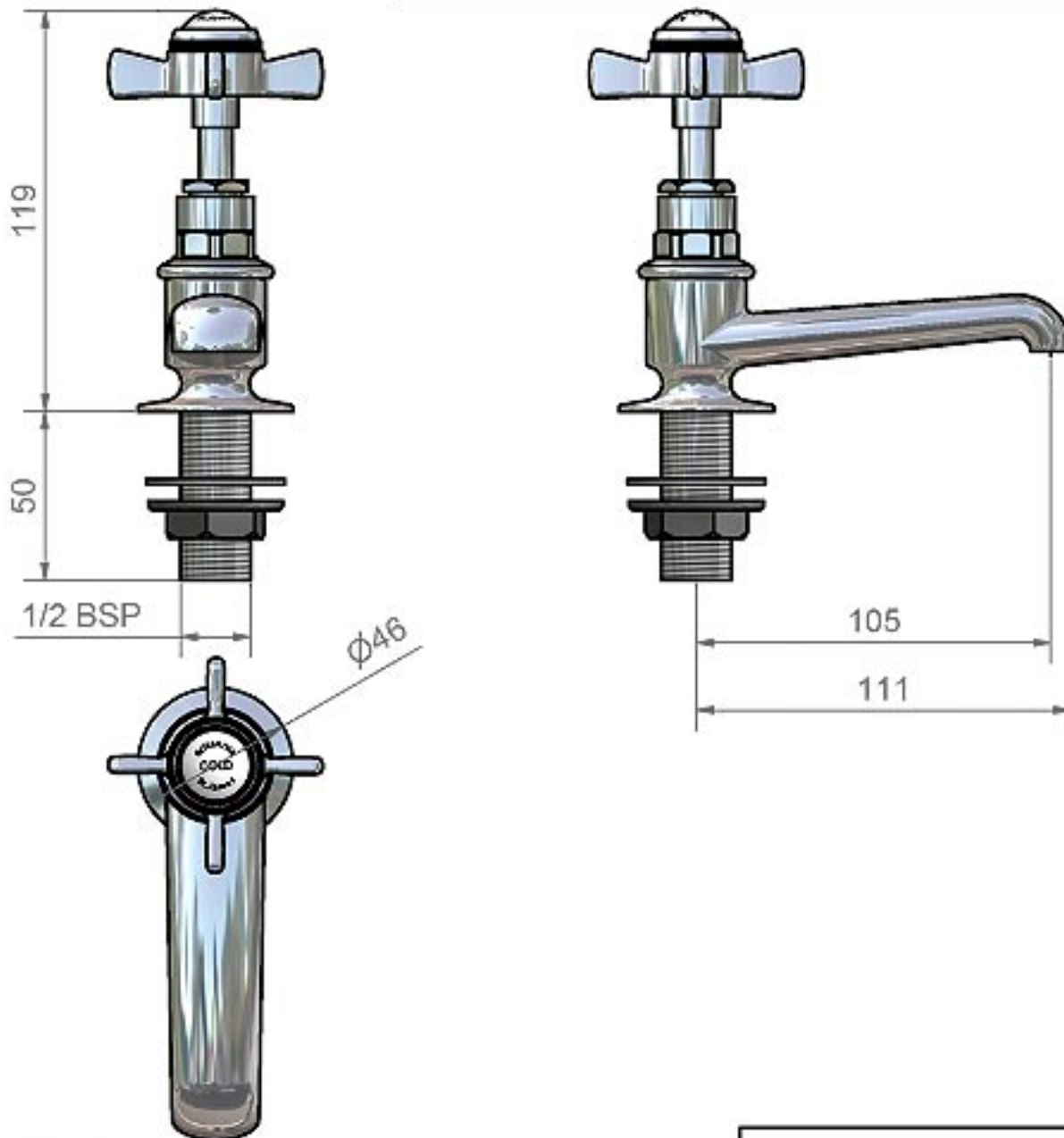


# St. James

International Bathrooms B.V.  
www.bathrooms.nl

Range	S.J. - England, CD.	
Item	Basin taps - long reach	
Date		
Finish : Chrome	Code : SJC150.XXX	
Finish : Antique gold	Code :	
Finish : Bright nickel	Code :	
ALL DIMENSIONS SHOWN IN mm.		



Pack Details:-  
Units of 1, 16cm x 7cm x 29cm.  
Product Weight 1Kg.  
Total Pack Weight 1.2Kg.

Min. Working Pressure 0.1Bar  
Flow @ 0.1 Bar (Marflow Test Rig) X l/min.

