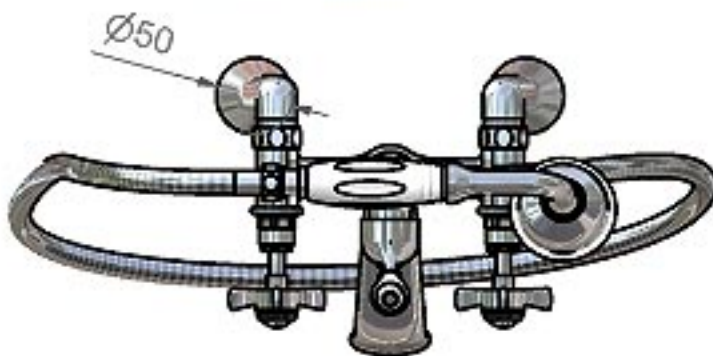
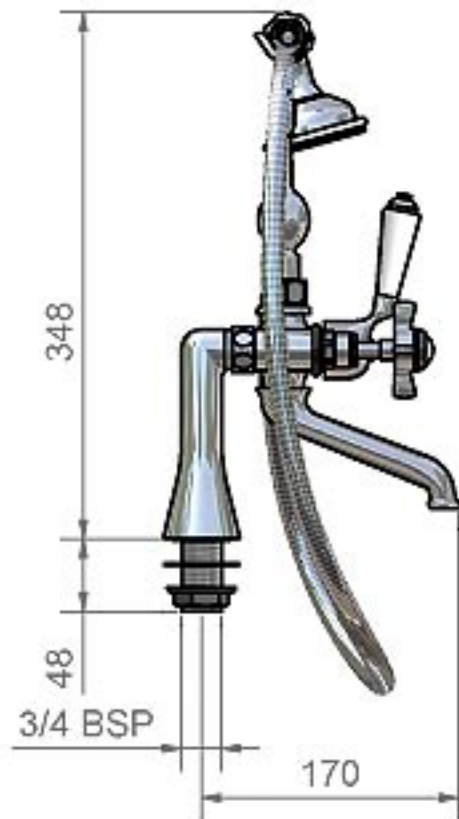
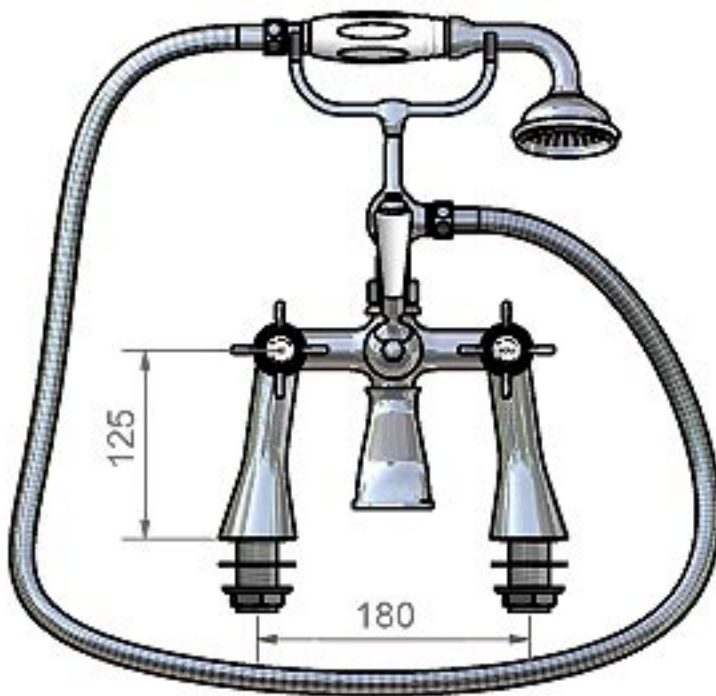


St. James

International Bathrooms B.V.
www.bathrooms.nl

Range	S.J. - England CD	
Item	Pillar mounted bath shower mixer	
Date		
Finish : Chrome	Code : SJC320.XXX	
Finish : Antique gold	Code :	
Finish : Bright nickel	Code :	
ALL DIMENSIONS SHOWN IN mm.		

1.5m flexible shower hose



Pack Details:-
Units of xxcm x xxcm x xxcm.
Product Weight xxKg.
Total Pack Weight xxKg.

Min. Working Pressure 0.1Bar
Flow @ 0.1 Bar (Marflow Test Rig) X l/min.

