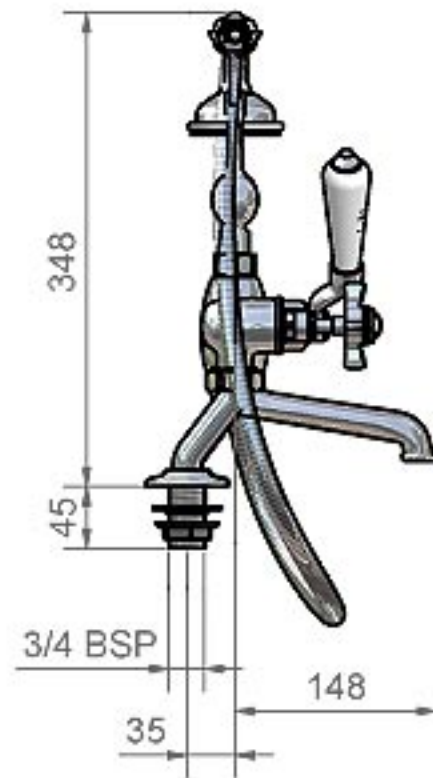
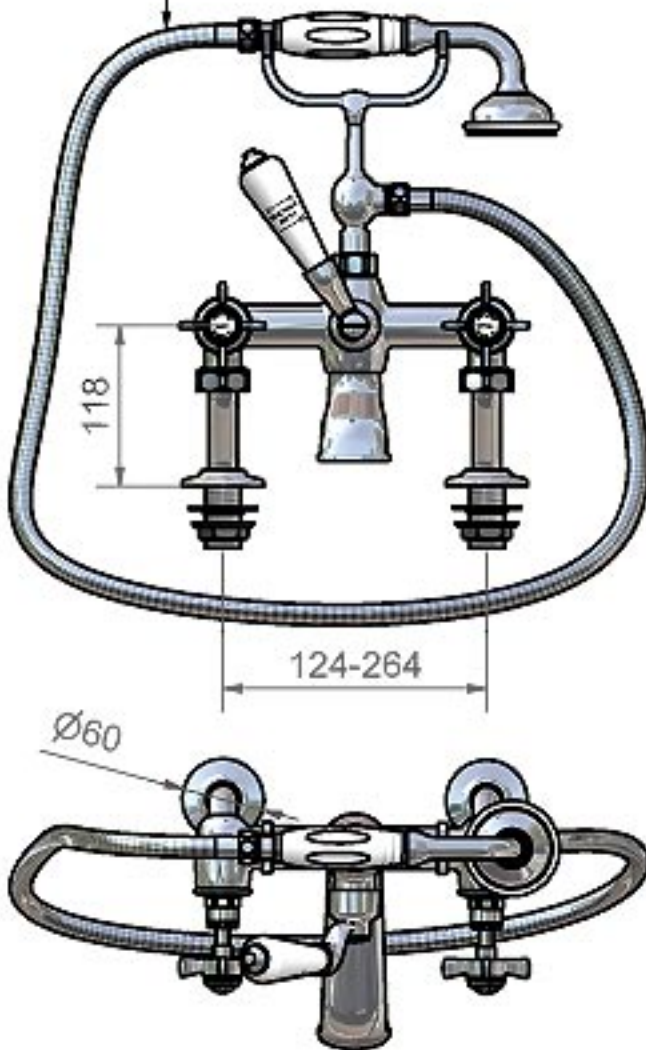


St. James

International Bathrooms B.V.
www.bathrooms.nl

Range	S.J. - England CD.	
Item	Pillar mounted bath shower mixer	
Date		
Finish : Chrome	Code : SJC330.XXX	
Finish : Antique gold	Code :	
Finish : Bright nickel	Code :	
ALL DIMENSIONS SHOWN IN mm.		

1.5m flexible shower hose



Pack Details:-

Units of 1, 28cm x 18cm x 34cm.

Product Weight 4.47Kg.

Total Pack Weight 5.1Kg.

Min. Working Pressure 0.1Bar

Flow @ 0.1 Bar (Marflow Test Rig) X l/min.

