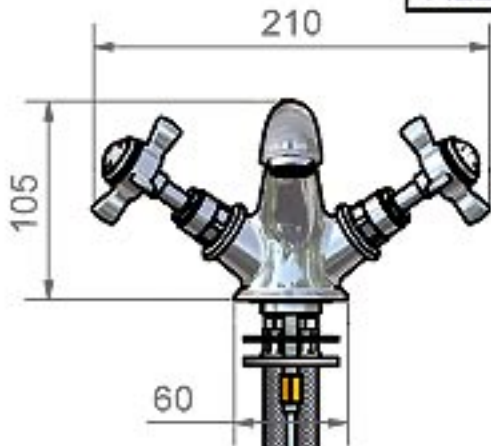


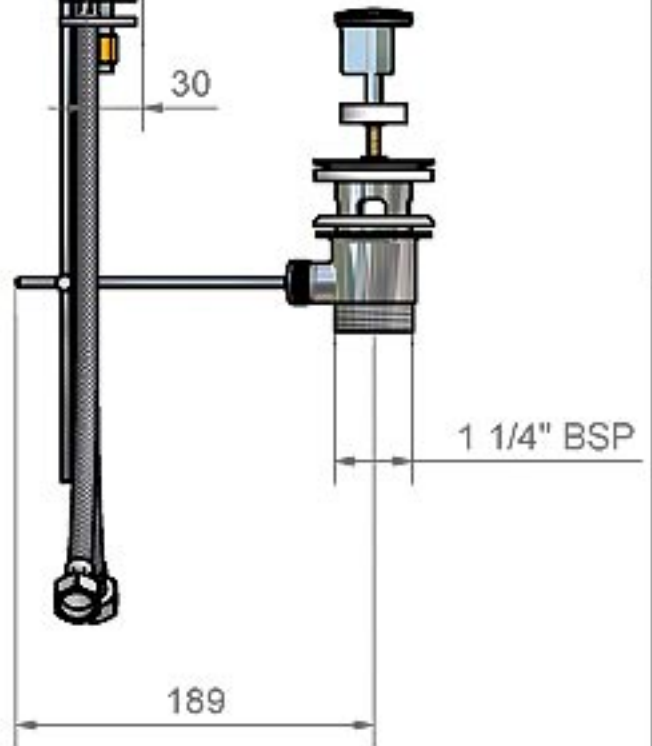
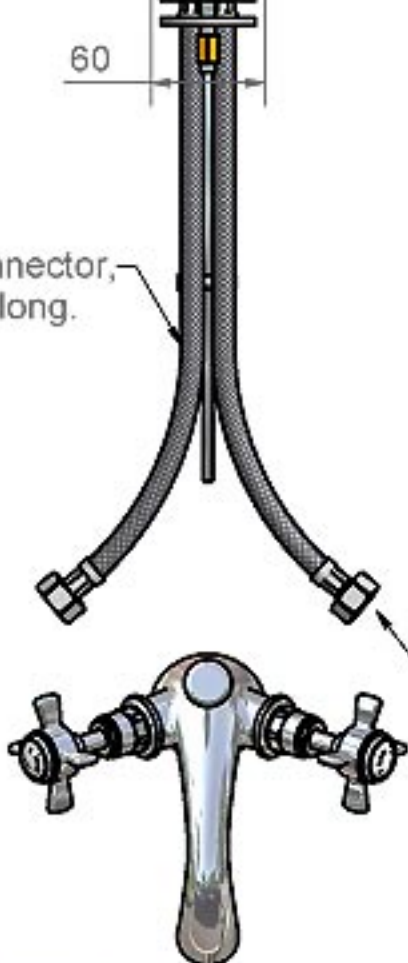
# St. James

International Bathrooms B.V.  
www.bathrooms.nl

Range	S.J. - England, CD.	
Item	Single hole basin mixer	
Date		
Finish : Chrome	Code :	SJC410.XXX
Finish : Antique gold	Code :	
Finish : Bright nickel	Code :	
ALL DIMENSIONS SHOWN IN mm.		



Flex connector,  
350mm long.



1/2" BSP FEM

Pack Details:-  
Units of 1, 17cm x 15cm x 48cm.  
Product Weight 1.9Kg.  
Total Pack Weight 2.4Kg.

Min. Working Pressure 0.1Bar  
Flow @ 0.1 Bar (Marflow Test Rig) X l/min.

