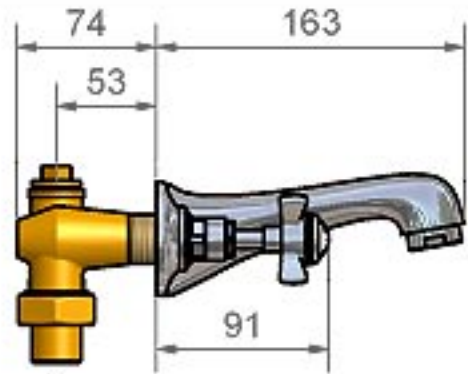
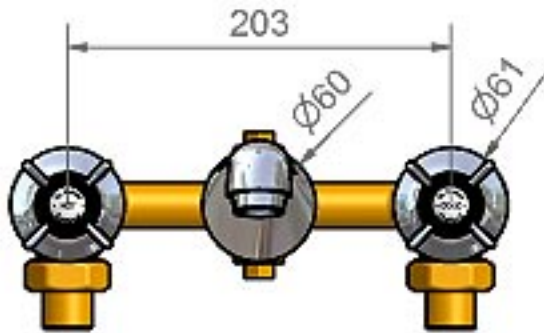


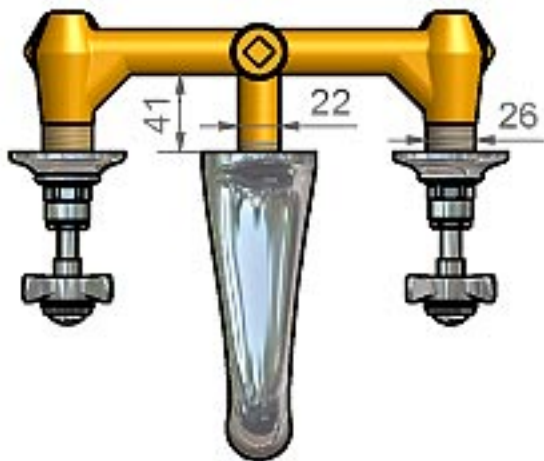
# St. James

International Bathrooms B.V.  
www.bathrooms.nl

|                             |                              |  |
|-----------------------------|------------------------------|--|
| Range                       | S.J. - England, CD.          |  |
| Item                        | Wall mounted basin mixer set |  |
| Date                        |                              |  |
| Finish : Chrome             | Code : SJC441.XXX            |  |
| Finish : Antique gold       | Code :                       |  |
| Finish : Bright nickel      | Code :                       |  |
| ALL DIMENSIONS SHOWN IN mm. |                              |  |



1/2" BSP Female inlets



Pack Details:-  
Units of 1, cm x cm x cm.  
Product Weight 1Kg.  
Total Pack Weight Kg.

Min. Working Pressure 0.1Bar  
Flow @ 0.1 Bar (Marflow Test Rig) X l/min.

