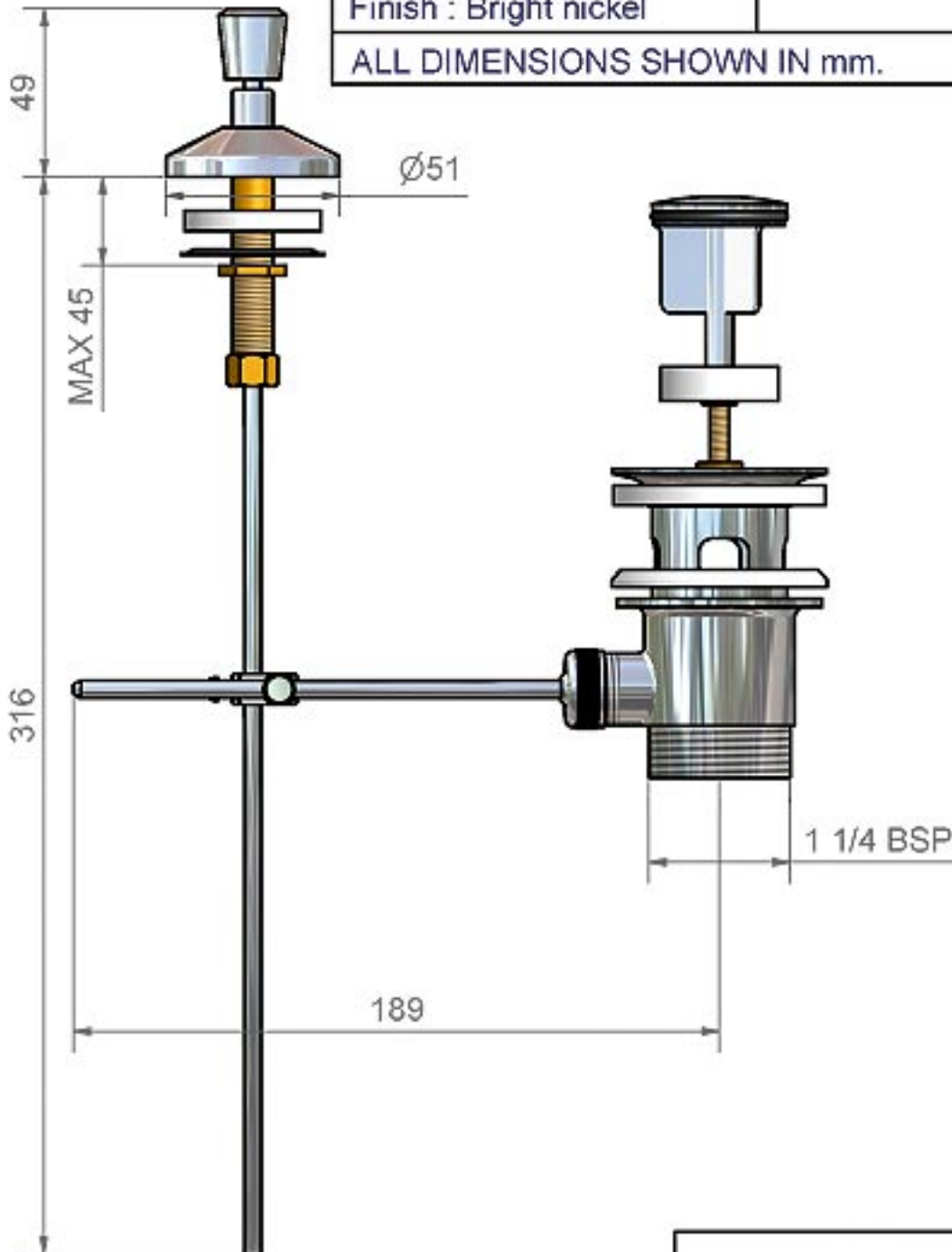


# St. James

International Bathrooms B.V.  
www.bathrooms.nl

Range	Ancillary
Item	Basin pop up waste
Date	
Finish : Chrome	Code : T85
Finish : Gold	
Finish : Bright nickel	
ALL DIMENSIONS SHOWN IN mm.	



Pack Details:-  
Units of 1, Xcm x Xcm x Xcm.  
Product Weight XKg.  
Total Pack Weight XKg.

Min. Working Pressure 0.1Bar  
Flow @ 0.1 Bar (Marflow Test Rig) X l/min.

