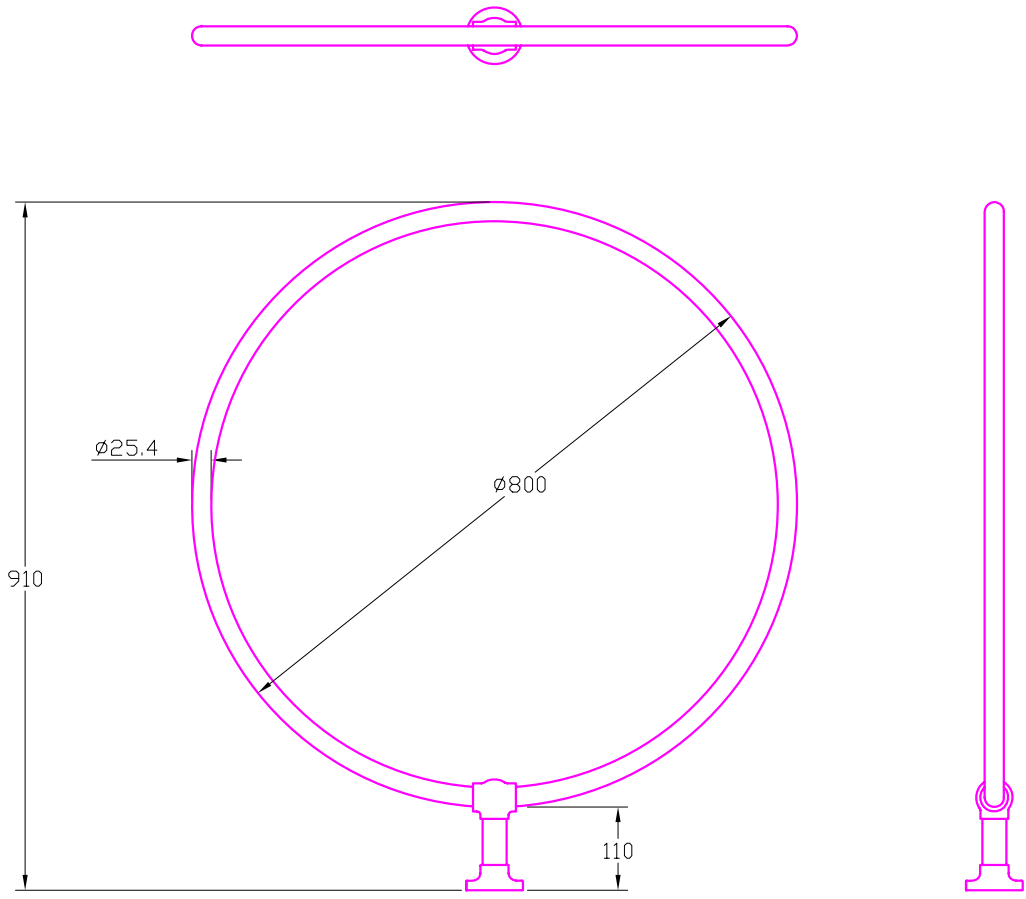


# Round Curtain Rail SJCR1000



1	Packing:Moulded Polystyrene Inner Protection And White Carton Outer System
2	This Product Is Manufactured In ISO9001 Accredited Establishment
3	Screws,Masonry Plugs,Allen Key and Fitting Instructions Included
4	Product Serial number And Date Of Manufacture Impressed In Top RH Flange
5	Brass Tube Specification: $\varnothing$ 25.4 X 1.00 mm
6	Size Variation:A 1% Size Variation Is Possible
7	Warranty: 5 Years From Date Of Manufacture(Material and Workmanship)
8	NW/GW: